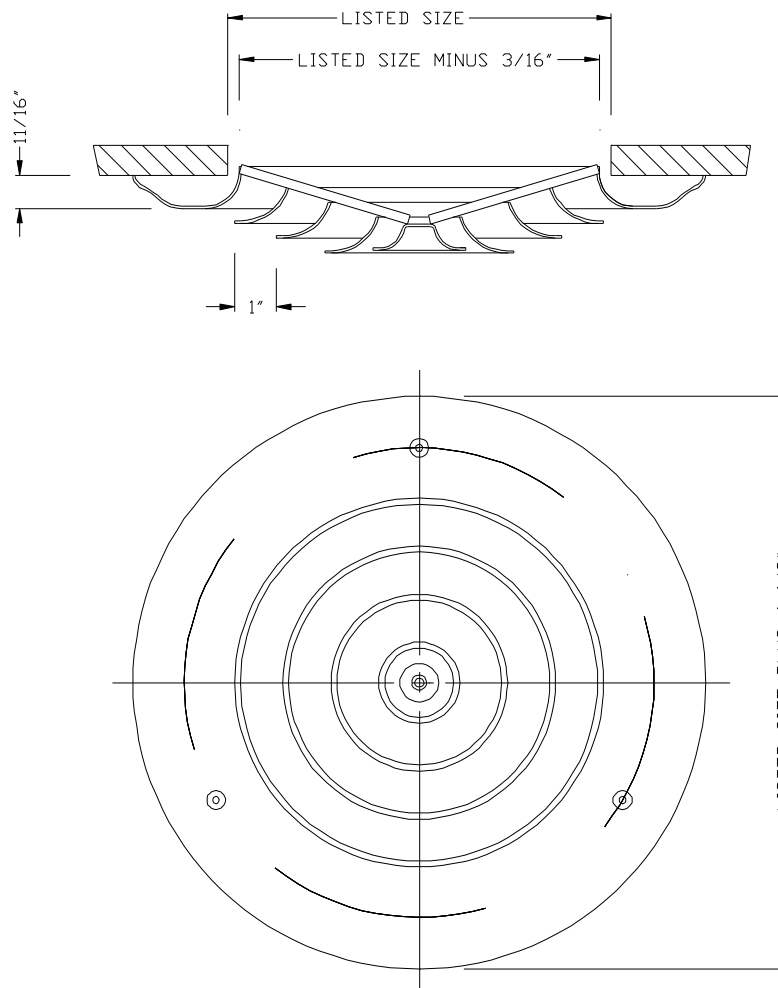


MODEL 900 – ROUND CEILING DIFFUSER

1. ALUMINUM CONSTRUCTION
2. 360 DEGREE AIR PATTERN
3. CONCENTRIC RINGS FOR EVEN AIR DISTRIBUTION
4. MOUNTING HOLES IN OUTER RING
5. UTILIZES 900D DAMPER
6. HOLE IN CENTER CORE FOR DAMPER CONTROL
7. WHITE (W) FINISH



900				
Dia				
6"	8"	10"	12"	14"
X	X	X	X	X

Submittal No. 900	Revision:	Date: 07/07/2010	Submitted by:	Date submitted:
-------------------	-----------	------------------	---------------	-----------------