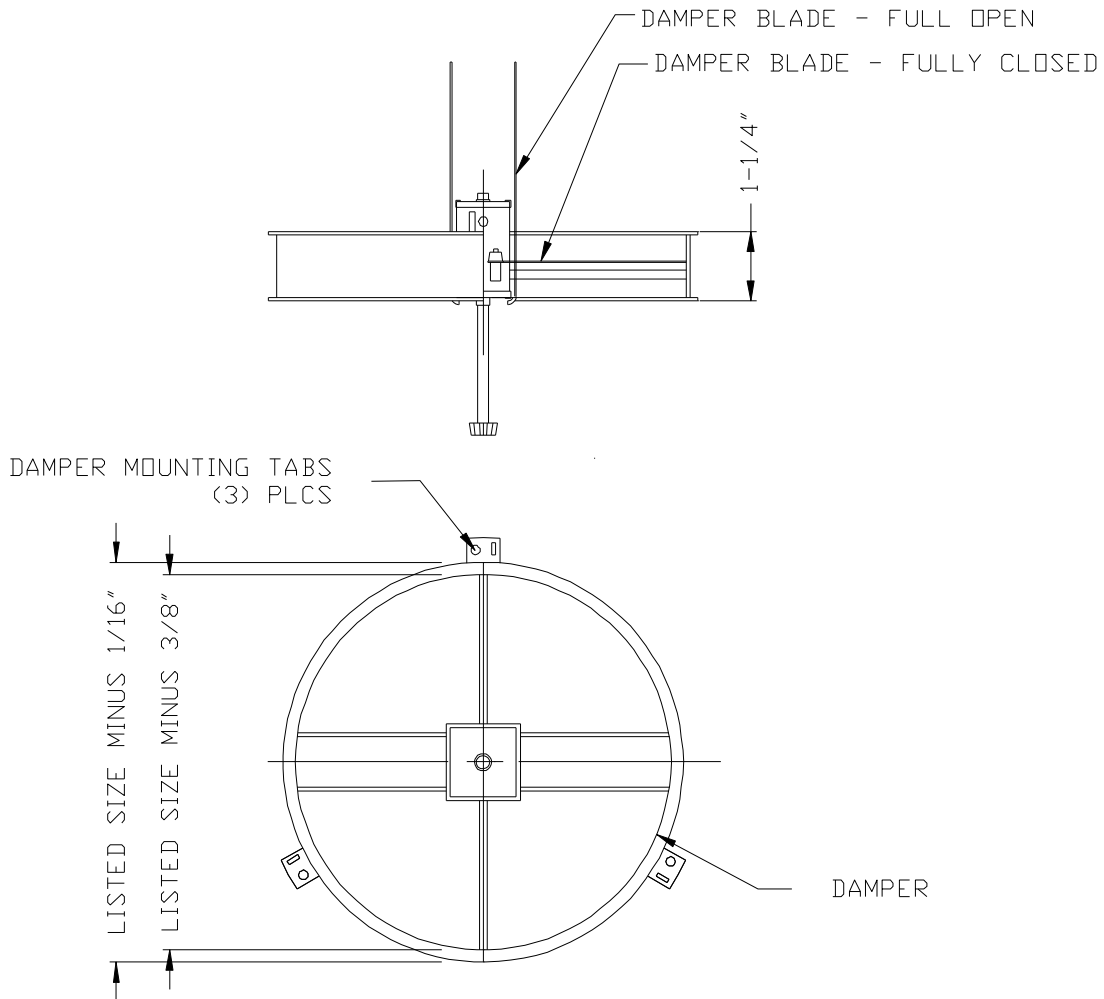


MODEL 900D – ROUND DAMPER WITH RING

1. ALUMINUM CONSTRUCTION
2. FOR USE WITH MODEL 900 ROUND CEILING DIFFUSER
3. BUTTERFLY STYLE DAMPER
4. SUPPLIED WITH MOUNTING HARDWARE
5. INCLUDES DAMPER OPERATOR
6. MILL (M) FINISH



900D				
Dia				
6"	8"	10"	12"	14"
X	X	X	X	X

Submittal No. 900D

Revision:

Date: 07/07/2010

Submitted by:

Date submitted: