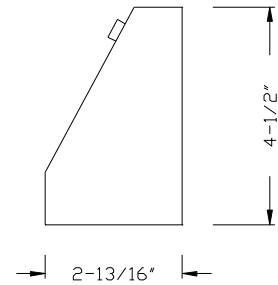
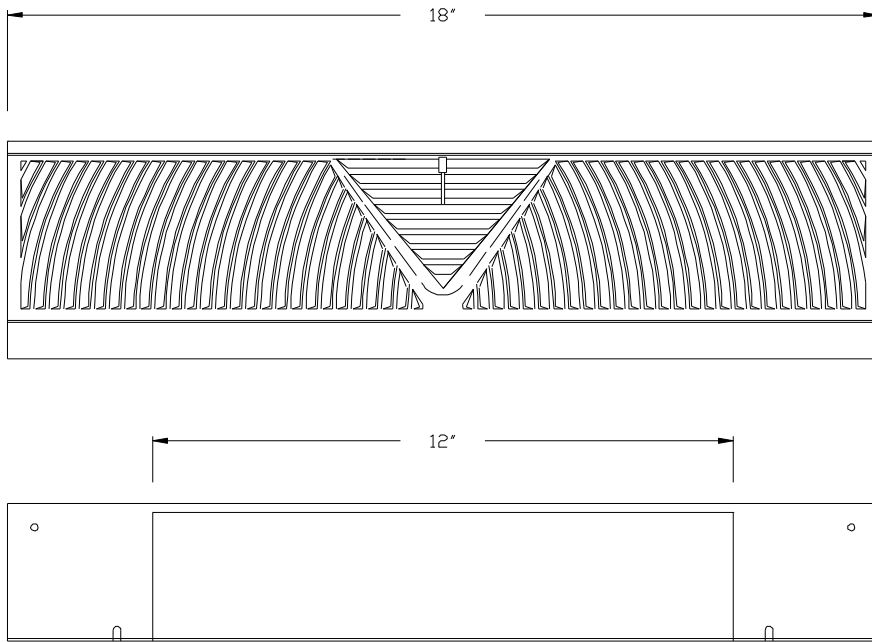


MODEL 1340 – BASEBOARD DIFFUSER – 18”

1. STEEL CONSTRUCTION
2. FAN SHAPE AIR PATTERN
3. FLAP STYLE DAMPER
4. REMOVABLE FACE PANEL
5. ORDER AS MODEL 1340R RETURN (NO DAMPER)
6. WHITE (W) OR BROWN (B) FINISH



Submittal No. 1340	Revision:	Date: 07/07/2010	Submitted by:	Date submitted:
--------------------	-----------	------------------	---------------	-----------------