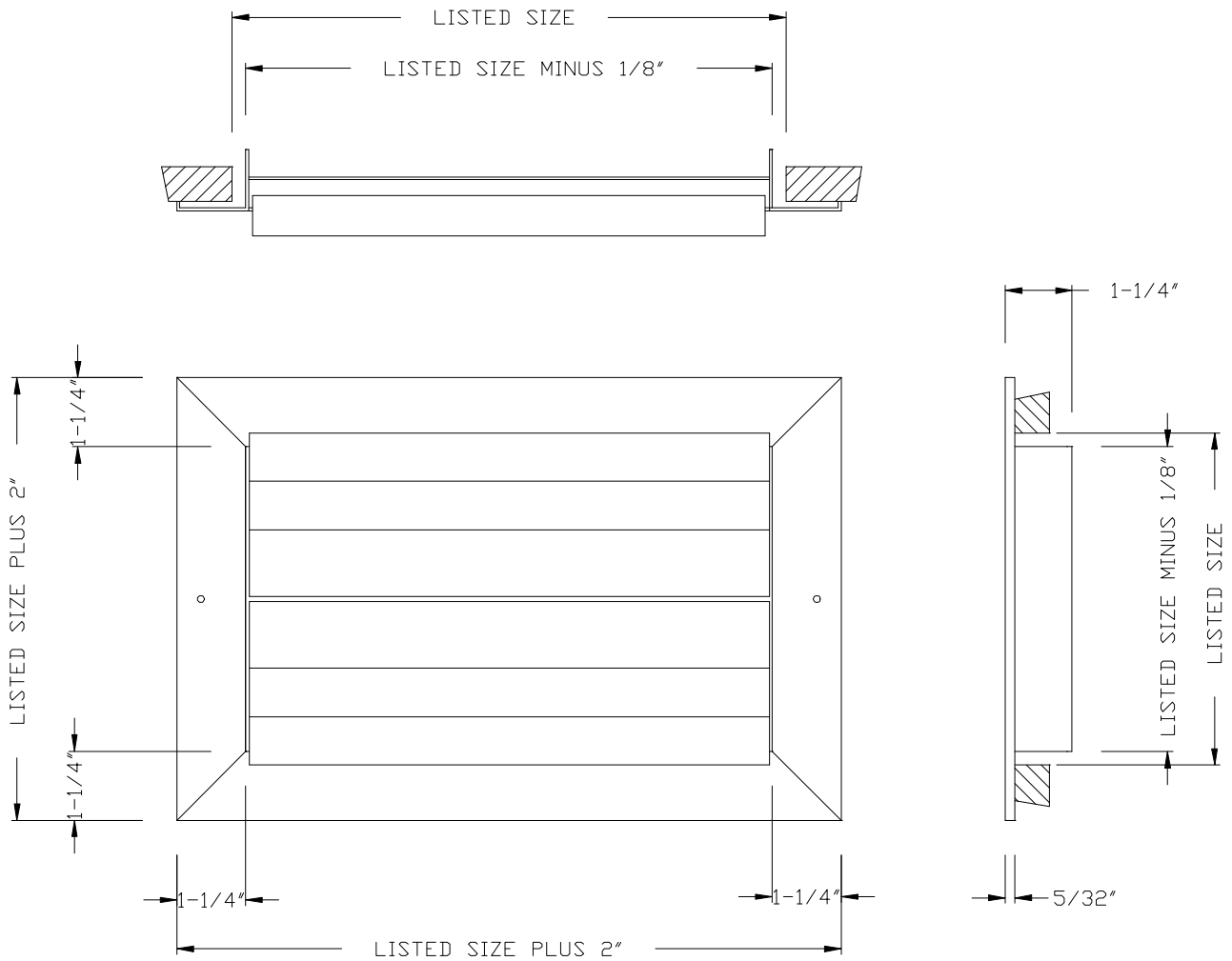


MODEL LT – CURVED BLADE CEILING SUPPLY FACE ONLY – 2-WAY

1. ROLLFORMED ALUMINUM CONSTRUCTION
2. ADJUSTABLE CURVED BLADES SET AT 15/16" ON CENTER
3. TWO WAY AIR PATTERN
4. GRILLE ONLY
5. WHITE (W) OR ALUMINUM (AL) FINISH



| | | | | |
|------------------|-----------|------------------|---------------|-----------------|
| Submittal No. LT | Revision: | Date: 07/07/2010 | Submitted by: | Date submitted: |
|------------------|-----------|------------------|---------------|-----------------|



MODEL LT– CURVED BLADE CEILING SUPPLY FACE ONLY – 2-WAY

| LT | | | | | | | | | | | | | | | | | | | | | | | |
|--------|-------|----|-----|-----|-----|-----|-----|-----|-----|-----|-----|-----|-----|-----|-----|-----|-----|-----|-----|-----|-----|-----|--|
| Height | Width | | | | | | | | | | | | | | | | | | | | | | |
| | 6" | 8" | 10" | 12" | 14" | 16" | 18" | 20" | 22" | 24" | 26" | 28" | 30" | 32" | 34" | 36" | 38" | 40" | 42" | 44" | 46" | 48" | |
| 4" | X | X | X | X | X | X | X | X | X | X | X | X | X | X | X | X | X | X | X | X | X | X | |
| 5" | X | X | X | X | X | X | X | X | X | X | X | X | X | X | X | X | X | X | X | X | X | X | |
| 6" | X | X | X | X | X | X | X | X | X | X | X | X | X | X | X | X | X | X | X | X | X | X | |
| 8" | | X | X | X | X | X | X | X | X | X | X | X | X | X | X | X | X | X | X | X | X | X | |
| 10" | | | X | X | X | X | X | X | X | X | X | X | X | X | X | X | X | X | X | X | X | X | |
| 12" | | | | X | X | X | X | X | X | X | X | X | X | X | X | X | X | X | X | X | X | X | |
| 14" | | | | | X | X | X | X | X | X | X | X | X | X | X | X | X | X | X | X | X | X | |
| 16" | | | | | | X | X | X | X | X | X | X | X | X | X | X | X | X | X | X | X | X | |
| 18" | | | | | | | X | X | X | X | X | X | X | X | X | X | X | X | X | X | X | X | |
| 20" | | | | | | | | X | X | X | X | X | X | X | X | X | X | X | X | X | X | X | |
| 22" | | | | | | | | | X | X | X | X | X | X | X | X | X | X | X | X | X | X | |
| 24" | | | | | | | | | | X | X | X | X | X | X | X | X | X | X | X | X | X | |
| 26" | | | | | | | | | | | X | X | X | X | X | X | X | X | X | X | X | X | |
| 28" | | | | | | | | | | | | X | X | X | X | X | X | X | X | X | X | X | |
| 30" | | | | | | | | | | | | | X | X | X | X | X | X | X | X | X | X | |
| 32" | | | | | | | | | | | | | | X | X | X | X | X | X | X | X | X | |
| 34" | | | | | | | | | | | | | | | X | X | X | X | X | X | X | X | |
| 36" | | | | | | | | | | | | | | | | X | X | X | X | X | X | X | |
| 38" | | | | | | | | | | | | | | | | | X | X | X | X | X | X | |
| 40" | | | | | | | | | | | | | | | | | | X | X | X | X | X | |
| 42" | | | | | | | | | | | | | | | | | | | X | X | X | X | |
| 44" | | | | | | | | | | | | | | | | | | | | X | X | X | |
| 46" | | | | | | | | | | | | | | | | | | | | | X | X | |
| 48" | | | | | | | | | | | | | | | | | | | | | | X | |