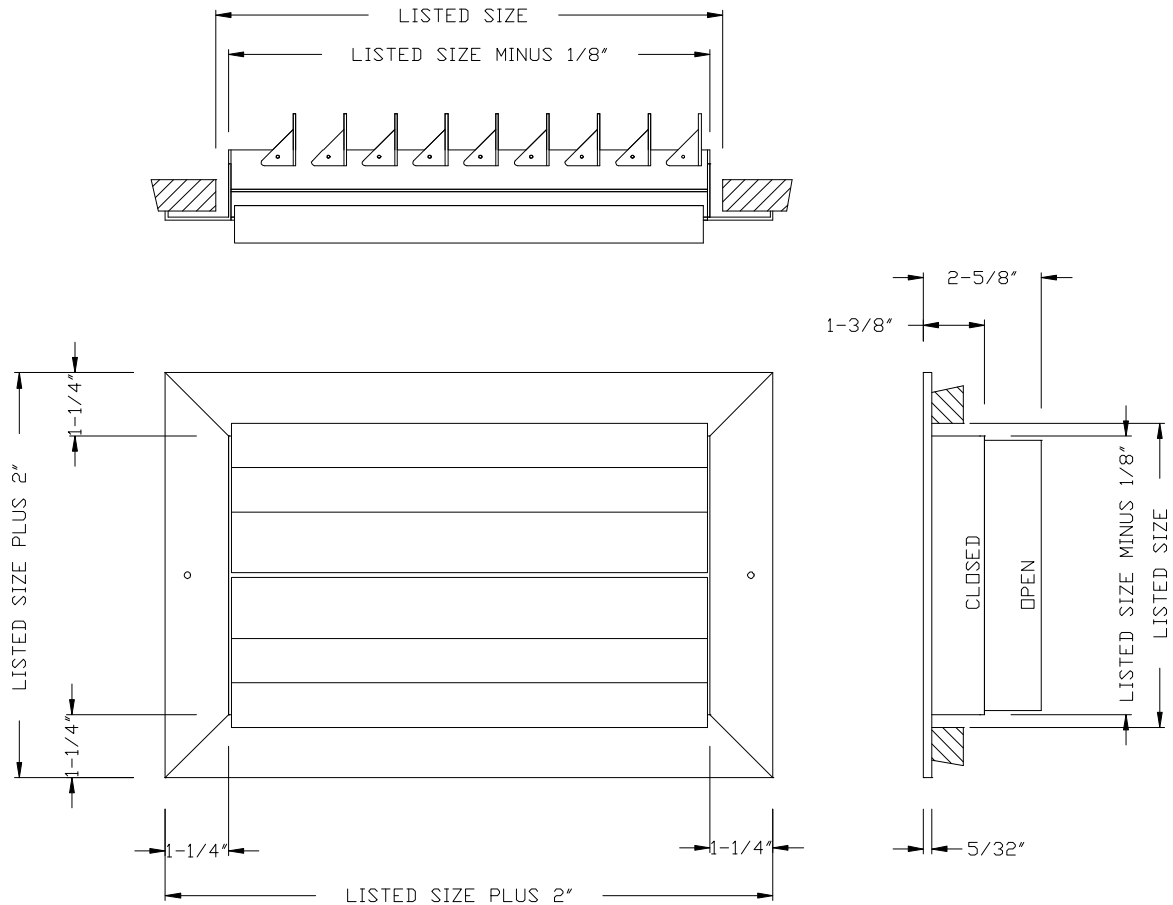


MODEL LTM – CURVED BLADE CEILING SUPPLY W/MS DAMPER – 2-WAY

1. ROLLFORMED ALUMINUM CONSTRUCTION
2. ADJUSTABLE CURVED BLADES SET AT 15/16" ON CENTER
3. TWO WAY AIR PATTERN
4. INCLUDES MULTI-SHUTTER DAMPER
5. WHITE (W) OR ALUMINUM (AL) FINISH



LTM											
Height	Width										
	6"	8"	10"	12"	14"	16"	18"	20"	22"	24"	
4"	X	X	X	X	X	X	X	X	X	X	X
5"	X	X	X	X	X	X	X	X	X	X	X
6"	X	X	X	X	X	X	X	X	X	X	X
8"		X	X	X	X	X	X	X	X	X	X
10"			X	X	X	X	X	X	X	X	X
12"				X	X	X	X	X	X	X	X
14"					X	X	X	X	X	X	X
16"						X	X	X	X	X	X
18"							X	X	X	X	X
20"								X	X	X	X
22"									X	X	X
24"										X	X

Submittal No. LTM	Revision:	Date: 07/07/2010	Submitted by:	Date submitted:
-------------------	-----------	------------------	---------------	-----------------