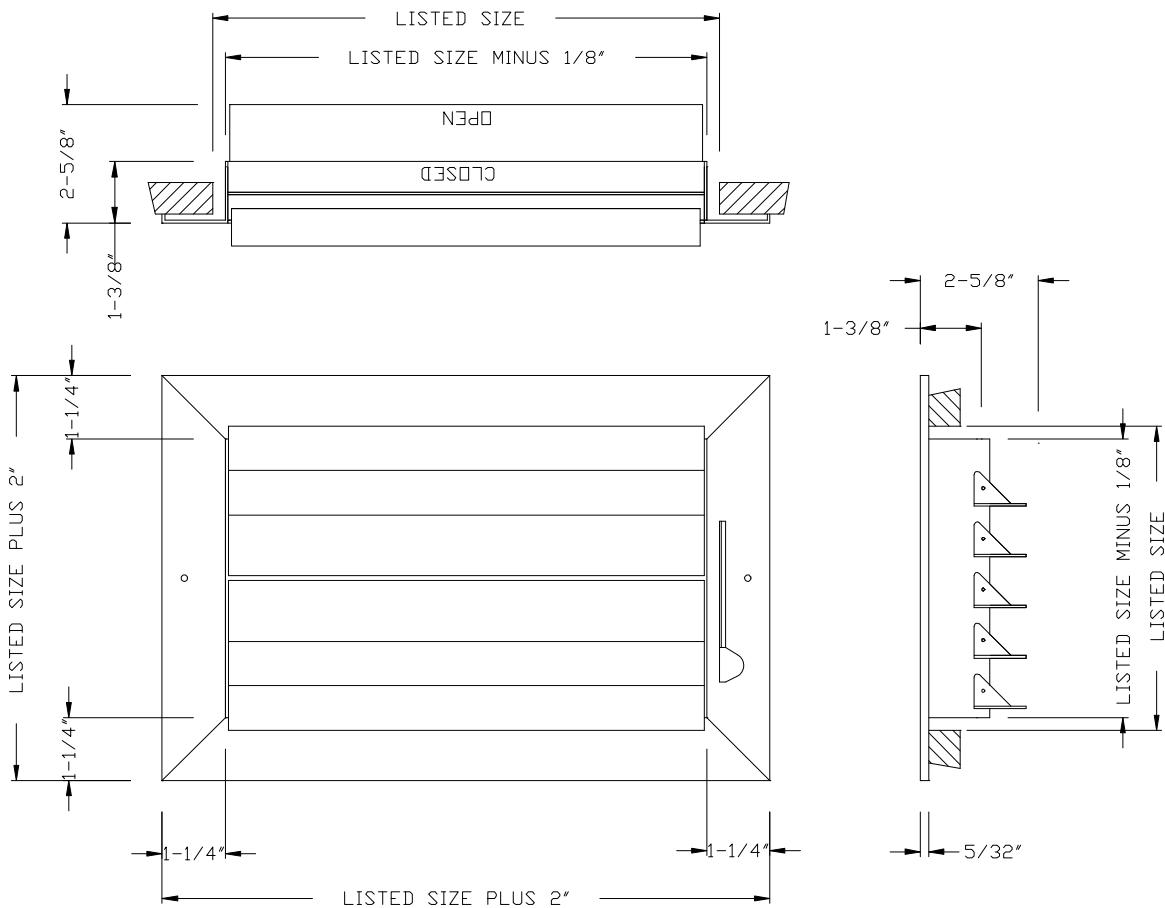


MODEL LTMH – CURVED BLADE CEILING SUPPLY W/MS DAMPER – 2-WAY, HANDLE ON BORDER

1. ROLLFORMED ALUMINUM CONSTRUCTION
2. ADJUSTABLE CURVED BLADES SET AT 15/16" ON CENTER
3. TWO WAY AIR PATTERN
4. INCLUDES MULTI-SHUTTER DAMPER
5. HANDLE ON OUTSIDE OF FRAME
6. WHITE (W) OR ALUMINUM (AL) FINISH



LTMH					
Height	Width				
	6"	8"	10"	12"	14"
4"	X	X	X	X	X
6"	X	X	X	X	X
8"		X	X	X	X
10"			X		
12"				X	

Submittal No. LTMH

Revision:

Date: 07/07/2010

Submitted by:

Date submitted: