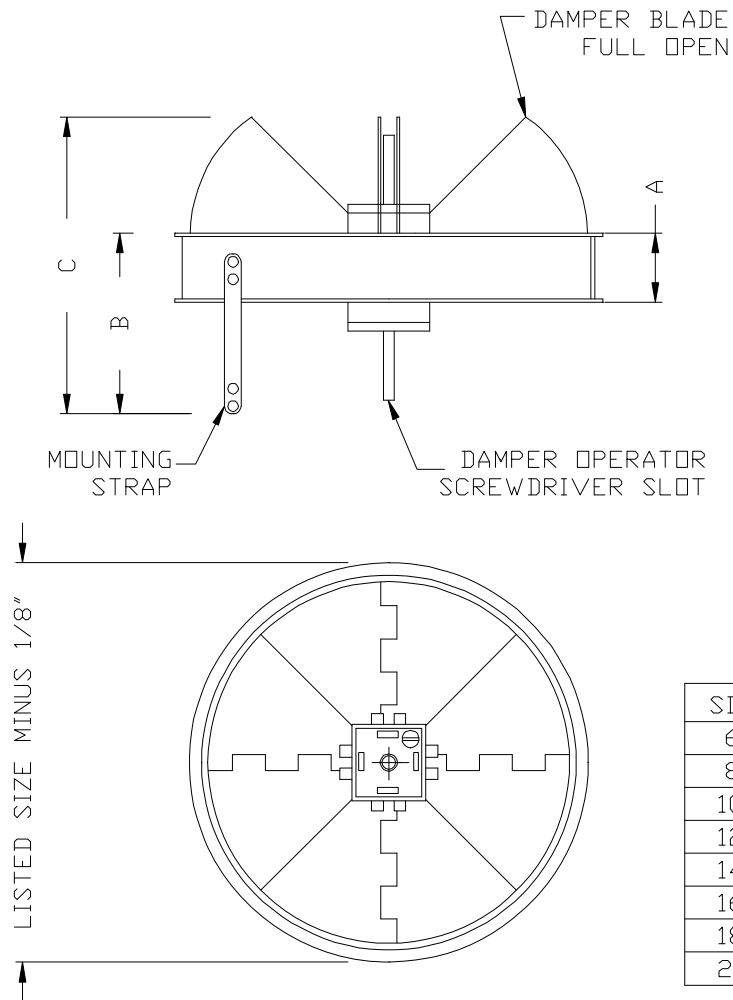


MODEL SD3 – RADIAL OPPOSED BLADE DAMPER

1. STEEL CONSTRUCTION
2. RADIAL STYLE OPPOSED BLADE DAMPER FOR 3100 SERIES COMMERCIAL ROUND DIFFUSERS
3. MILL (M) FINISH



SIZE	A	B	C
6"	1-1/4"	3-1/2"	4-3/4"
8"	1-1/4"	3-1/2"	5-1/4"
10"	1-1/4"	3-1/2"	6"
12"	2-1/8"	3-7/8"	6-5/8"
14"	2-1/8"	3-7/8"	7-1/8"
16"	2-1/8"	3-7/8"	8-7/8"
18"	2-1/8"	3-7/8"	9-3/8"
20"	2-1/8"	3-7/8"	9-7/8"

D3 / SD3

Damper Neck Sizes										
6"	8"	10"	12"	14"	16"	18"	20"	24"	30"	36"
X	X	X	X	X	X	X	X	X	X	X

Submittal No. SD3

Revision:

Date: 07/07/2010

Submitted by:

Date submitted: