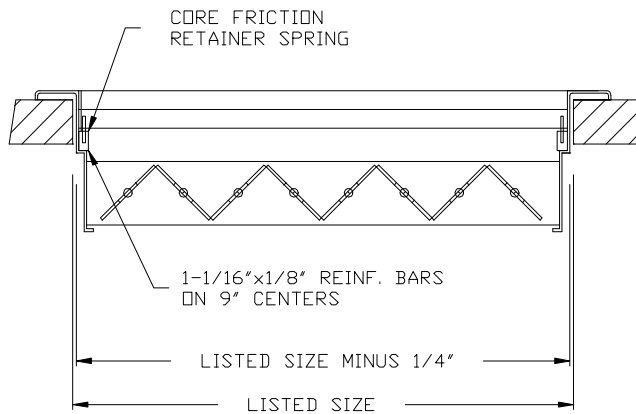
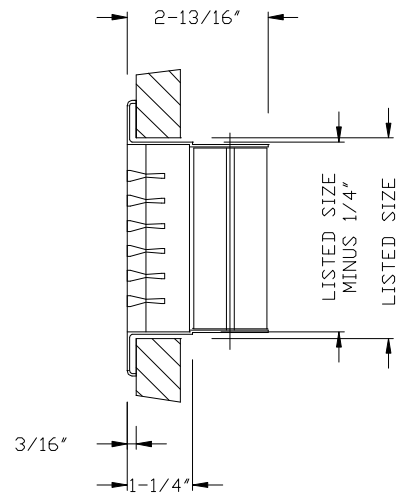
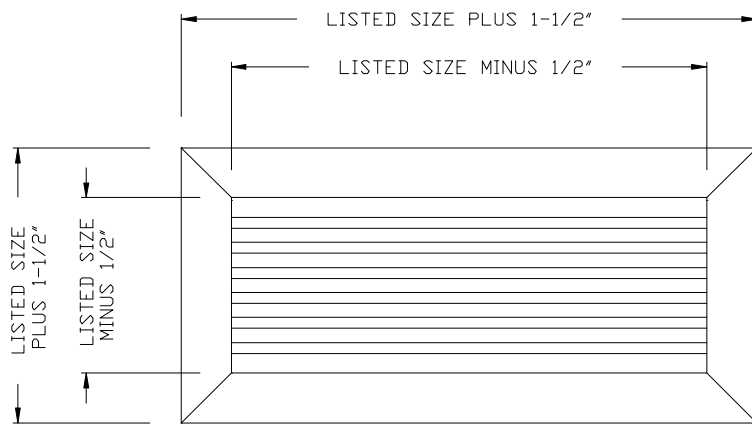


MODEL 2000FD – LINEAR BAR FLOOR GRILLE W/OBD

1. EXTRUDED ALUMINUM CONSTRUCTION
2. DESIGNED FOR FLOOR APPLICATIONS
3. 7/32" BARS SET AT 1/2" CENTERS
4. INCLUDES OPPOSED BLADE DAMPER
5. INTEGRAL CROSS BRACING
6. CLEAR ANODIZED FINISH



2000FD						
	Width					
Height	10"	12"	14"	24"	36"	48"
2"	X	X	X			
4"	X	X	X	X	X	X
6"	X	X	X	X	X	X

Submittal No. 2000FD

Revision:

Date: 07/07/2010

Submitted by:

Date submitted: