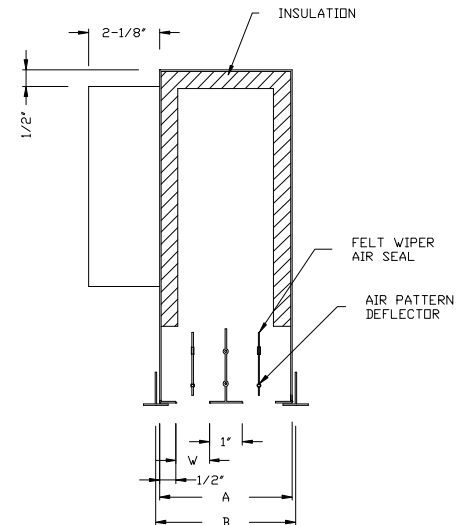
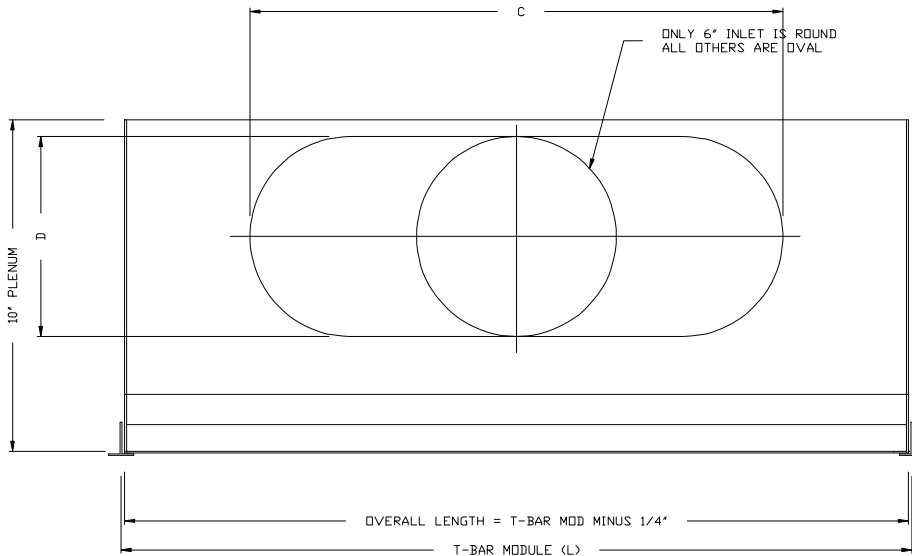




MODEL PHPSI – INSULATED PLENUM SLOT SUPPLY DIFFUSER, T-BAR

1. EXTRUDED ALUMINUM CONSTRUCTION
2. AVAILABLE IN 1 TO 4 SLOTS
3. MODELS
 - PHPR-50 – 1/2" SLOT
 - PHPR-75 – 3/4" SLOT
 - PHPR-10 – 1" SLOT
 - PHPR-15 – 1-1/2" SLOT
4. AVAILABLE IN 2', 3', 4' AND 5' LENGTHS
5. INSULATED PLENUM
6. PATTERN CONTROLLERS ARE ADJUSTABLE FROM FACE
7. VOLUME OR THROW DIRECTION ABLE TO BE ADJUSTED FROM VERTICAL TO HORIZONTAL
8. PLENUM INLETS AVAILABLE IN 6", 8", 10" AND 12"
9. WHITE (W) FINISH



MODEL PHPSI		1 SLOT		2 SLOT		3 SLOT		4 SLOT		
	W	L	A	B	A	B	A	B	A	B
PHPSI-50-6	1/2"	24", 36", 48", 60"	1-1/2"	1-3/4"	3"	3-1/4"	4-1/2"	4-3/4"	6"	6-1/4"
PHPSI-75-6	3/4"	24", 36", 48", 60"	1-3/4"	2"	3-1/2"	3-3/4"	5-1/4"	5-1/2"	7"	7-1/4"
PHPSI-10-6	1"	24", 36", 48", 60"	2"	2-1/4"	4"	4-1/4"	6"	6-1/4"	8"	8-1/4"
PHPSI-15-6	1-1/2"	24", 36", 48", 60"	2-1/2"	2-3/4"	5"	5-1/4"	7-1/2"	7-3/4"	10"	10-1/4"

INLET SIZE		
	C	D
6" ROUND	-	5-7/8"
8" OVAL	8-15/16"	6"
10" OVAL	12-1/16"	6"
12" OVAL	15-1/4"	6"

PHPSI-10, PHPSI-15, PHPSI-50, PHPSI-75

Length	1,2,3,4 Slot
24"	X
36"	X
48"	X
60"	X

Submittal No. PHPSI	Revision:	Date: 07/07/2010	Submitted by:	Date submitted:
---------------------	-----------	------------------	---------------	-----------------