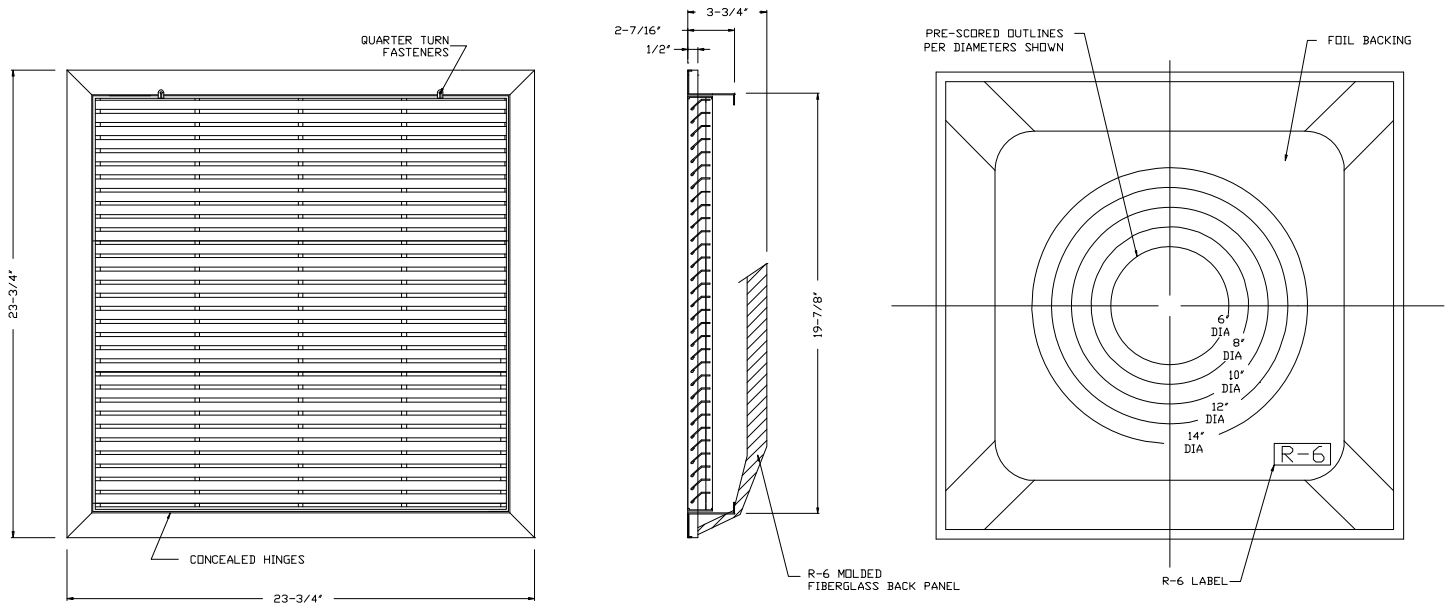


MODEL RHFTBI – FIXED BAR RETURN AIR FILTER GRILLE W/R6 MOLDED BACK, T-BAR

1. ALUMINUM CONSTRUCTION
2. 24"x24" T-BAR LAY-IN
3. 2/3" BAR SPACING
4. HORIZONTAL BARS ARE FIXED AT 45 DEGREES
5. CONCEALED HINGES
6. ¼ TURN LATCHES FOR EASY ACCES TO FILTER BOX
7. ACCEPTS 1" DISPOSABLE FILTER (NOT INCLUDED)
8. INCLUDES R6 MOLDED FIBERGLASS BACK
9. WHITE (W) FINISH



Submittal No. RHFTBI

Revision:

Date: 07/07/2010

Submitted by:

Date submitted: