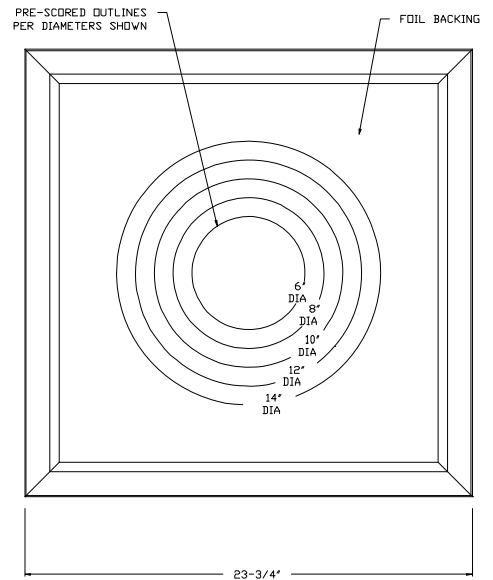
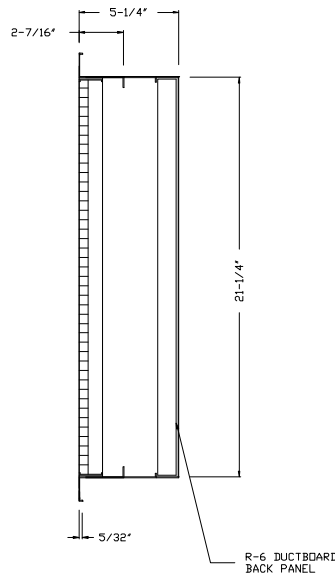
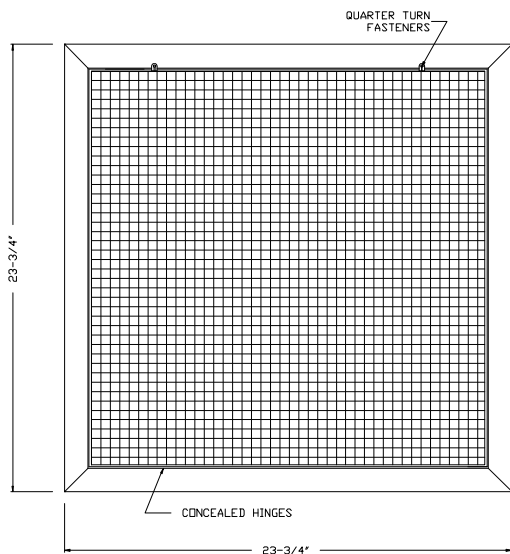


### **MODEL CC520F – CUBE CORE RETURN AIR FILTER GRILLE W/R6 PLENUM BACK, T-BAR**

1. EXTRUDED ALUMINUM CONSTRUCTION
2. 24"x24" T-BAR LAY-IN
3. ½" x ½" x ½" CUBE CORE
4. OFFERS 90 PERCENT FREE AREA
5. ACCEPTS NOMINAL 1" FILTER (NOT INCLUDED)
6. CONCEALED HINGES
7. ¼ TURN LATCHES FOR EASY ACCESS TO DAMPER BOX
8. 5" DEEP PLENUM
9. R6 FIBERGLASS BACK PLENUM ACCEPTS 6"-18" ROUND SPIN IN COLLARS (NOT INCLUDED)
10. WHITE (W) FINISH



Submittal No. CC520F

Revision:

Date: 07/07/2010

Submitted by:

Date submitted: