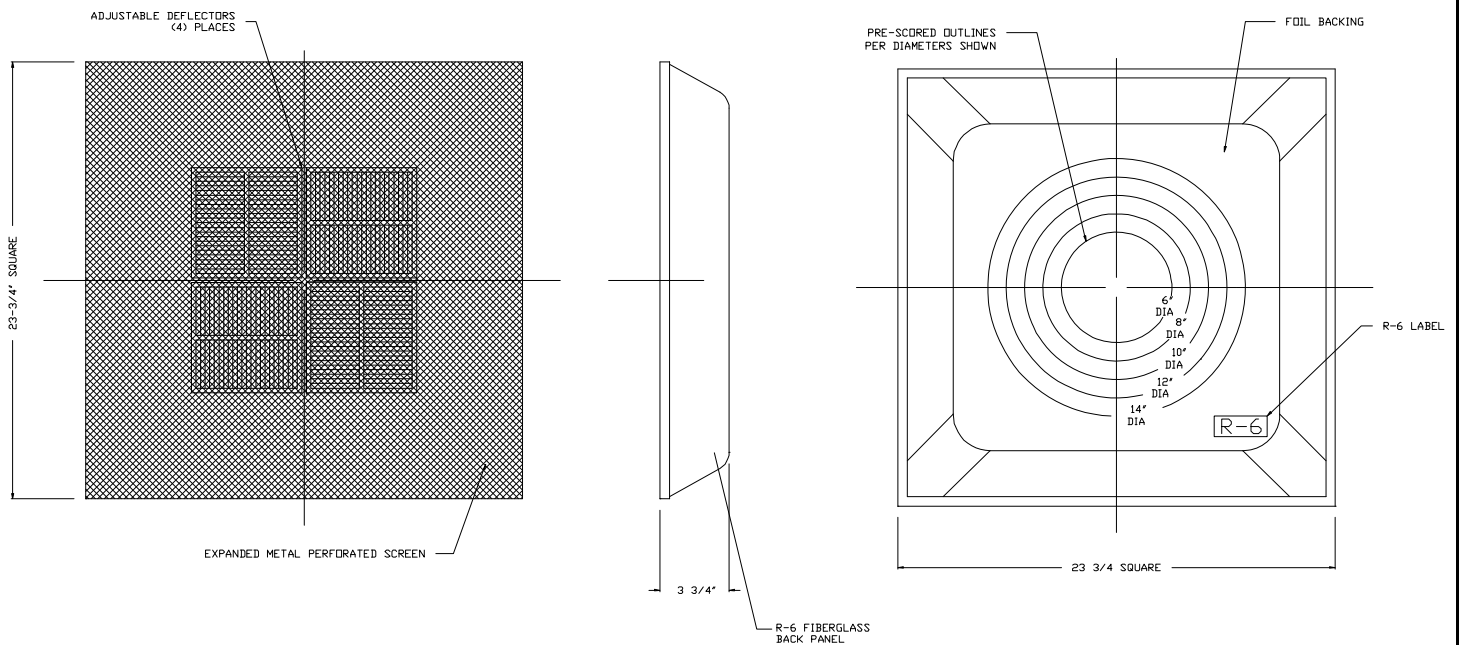


**MODEL 7305-6 – EXPANDED METAL SUPPLY W/ADJUSTABLE DEFLECTORS, R6
 MOLDED BACK, T-BAR**

1. STEEL CONSTRUCTION
2. 24" x 24" T-BAR LAY-IN
3. EXPANDED METAL FACE PANEL
4. R6 MOLDED FIBERGLASS BACK PANEL
5. INCLUDES ADJUSTABLE DEFLECTORS MOUNTED TO BACK SIDE OF FACE PANEL
6. WHITE (W) FINISH



Submittal No. 7305-6	Revision:	Date: 07/07/2010	Submitted by:	Date submitted:
----------------------	-----------	------------------	---------------	-----------------