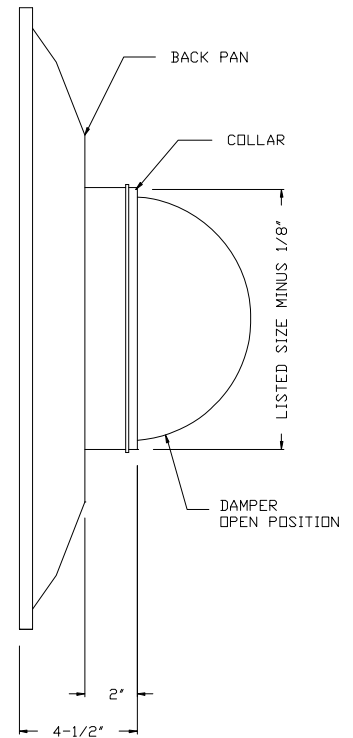
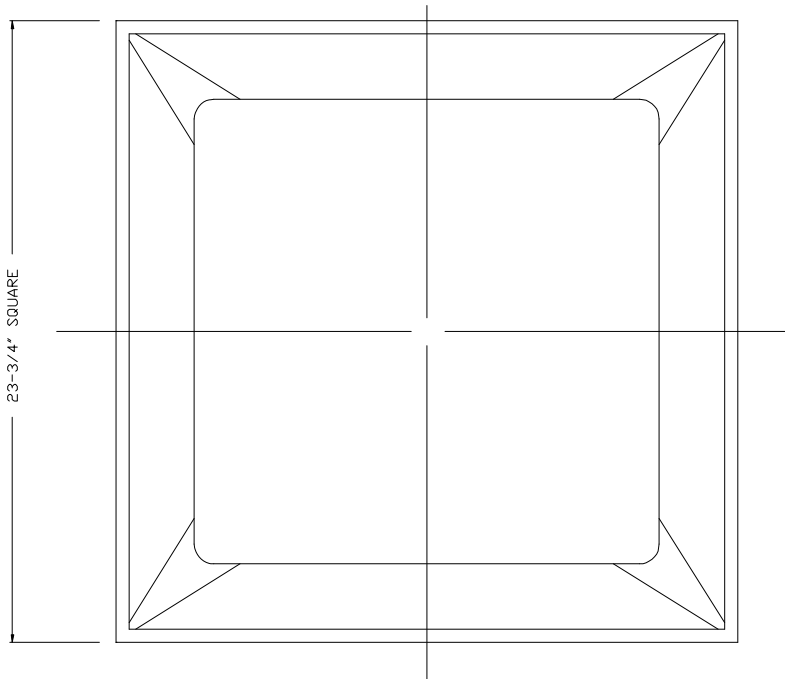


MODEL 4750D-6 – PLAQUE CEILING DIFFUSER W/DAMPER, T-BAR

1. STEEL CONSTRUCTION
2. 24" x 24" T-BAR LAY-IN
3. PLAQUE PANEL DESIGN
4. PANEL IS REMOVABLE
5. HIGH CAPACITY PERFORMANCE
6. 2" STANDARD INLET COLLAR WITH INTEGRAL BEAD FOR FLEX DUCT RETENTION
7. COLLARS AVAILABLE FROM 6" TO 14"
8. INCLUDES MODEL BDS DAMPER
9. 360 DEGREE AIR PATTERN
10. WHITE (W) FINISH



4750D					
Module 24x24	Dia				
	6"	8"	10"	12"	14"
	X	X	X	X	X

Submittal No. 4750D-6

Revision:

Date: 07/07/2010

Submitted by:

Date submitted: