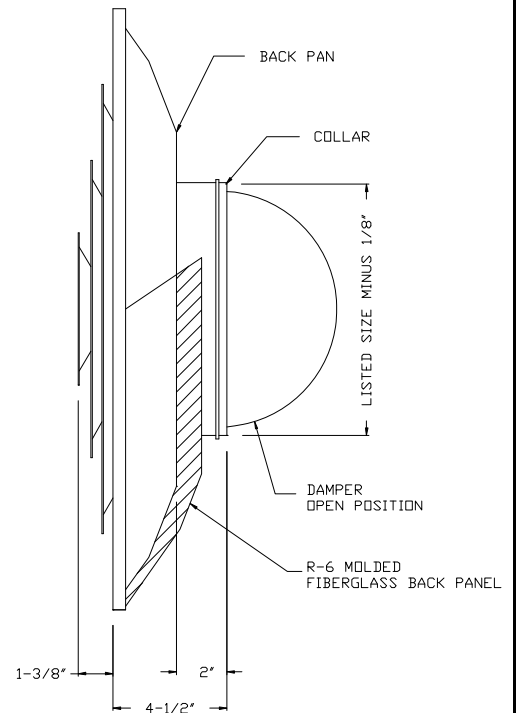
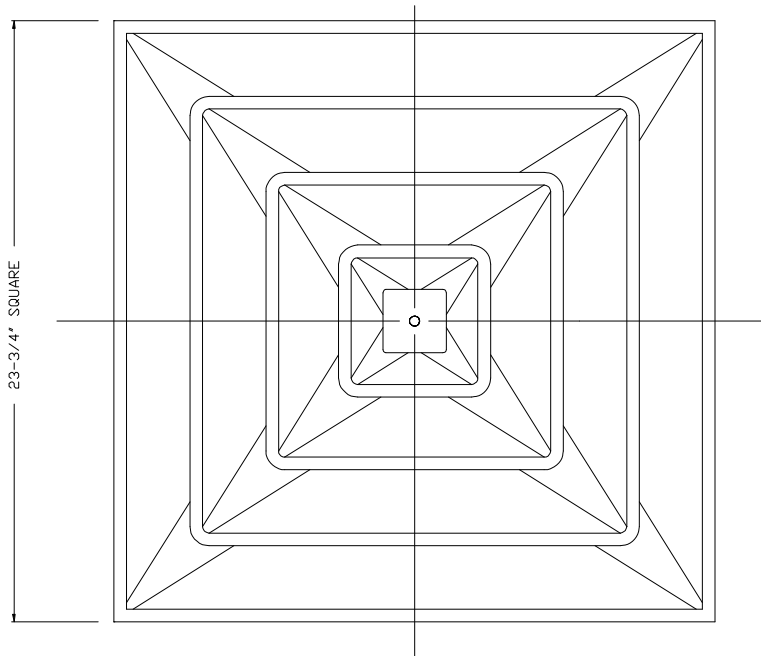


**MODEL 4806D-6 – STEP DOWN CEILING DIFFUSER, 3 CONE W/R6**  
**MOLDED BACK AND DAMPER, T-BAR**

1. STEEL CONSTRUCTION
2. 24" x 24" T-BAR LAY-IN
3. 3 CONE FIXED DESIGN
4. HIGH CAPACITY PERFORMANCE
5. 2" STANDARD INLET COLLAR WITH INTEGRAL BEAD FOR FLEX DUCT RETENTION
6. COLLARS AVAILABLE FROM 6" TO 14"
7. 360 DEGREE AIR PATTERN
8. INCLUDES R6 MOLDED FIBERGLASS BACK
9. INCLUDES MODEL BDS DAMPER
10. REMOVABLE CENTER PLUG FOR DAMPER ACCESS
11. WHITE (W) FINISH



4806D					
Module 24x24	Dia				
	6"	8"	10"	12"	14"
	X	X	X	X	X

Submittal No. 4806D-6

Revision:

Date: 07/07/2010

Submitted by:

Date submitted: