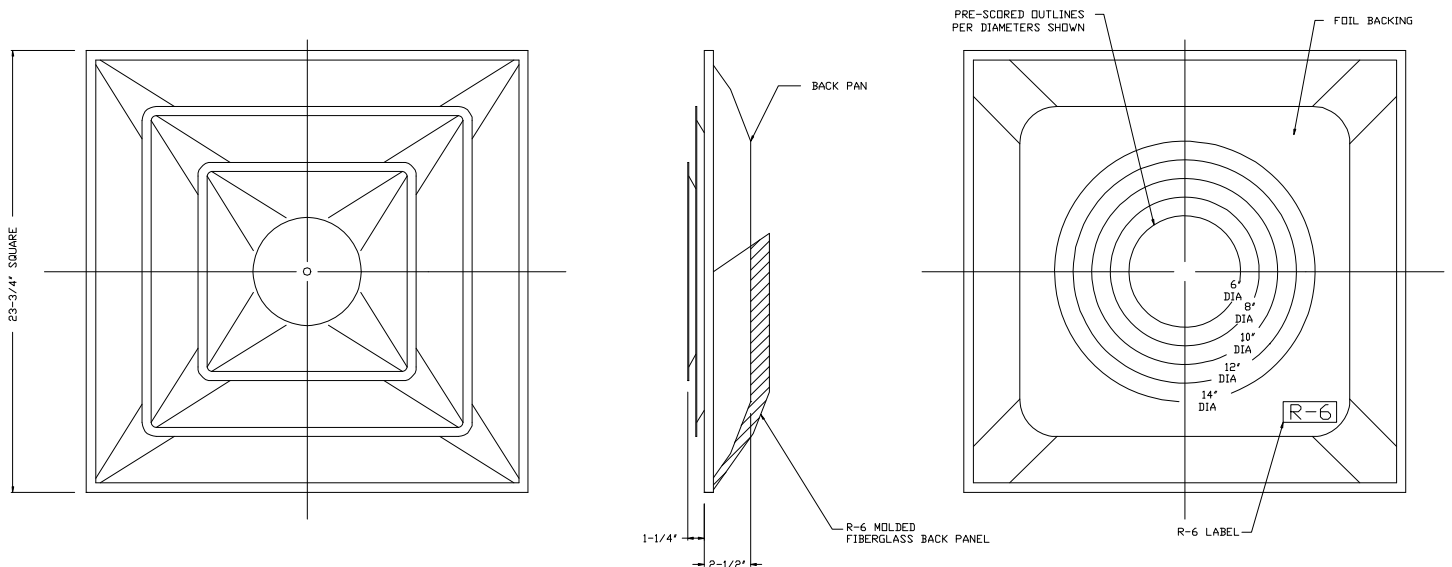


MODEL 5906-6 – STEP DOWN CEILING DIFFUSER, 2 CONE W/R6 MOLDED BACK FOR SPIN IN COLLARS, T-BAR

1. STEEL CONSTRUCTION
2. 24" x 24" T-BAR LAY-IN
3. 2 CONE FIXED DESIGN
4. HIGH CAPACITY PERFORMANCE
5. INCLUDES R6 MOLDED FIBERGLASS BACK
6. ACCEPTS 6" TO 15 SPIN IN COLLARS (BY OTHERS)
7. ACCEPTS SNAP-59 COLLAR (ORDER SEPARATELY)
8. 360 DEGREE AIR PATTERN
9. REMOVABLE CENTER PLUG FOR DAMPER ACCESS
10. WHITE (W) FINISH



Submittal No. 5906-6

Revision:

Date: 07/07/2010

Submitted by:

Date submitted: