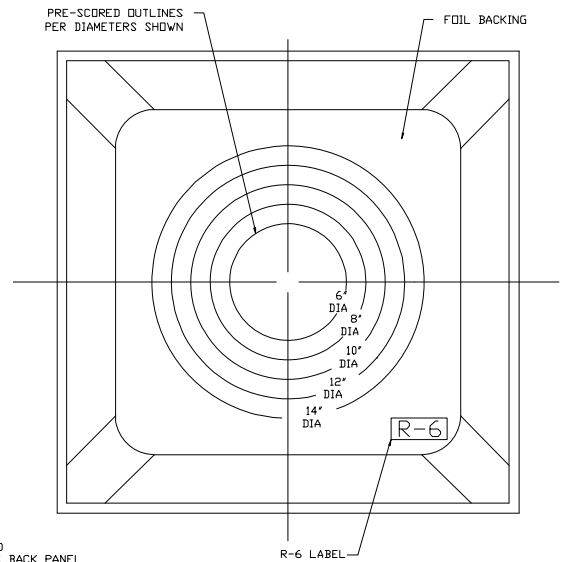
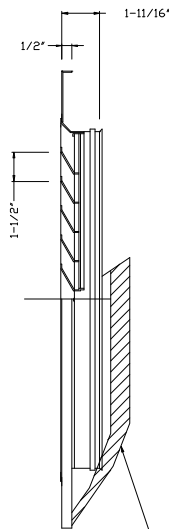
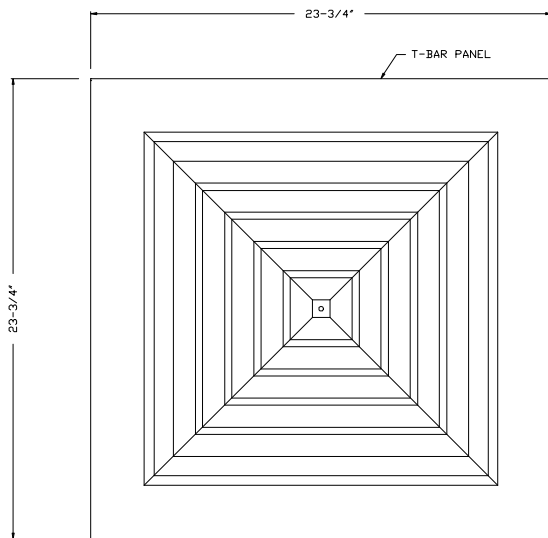


**MODEL 5500SI-6 – LOUVERED FACE CEILING DIFFUSER, W/R6 MOLDED BACKI
 FOR SPIN-IN COLLARS, T-BAR**

1. STEEL CONSTRUCTION
2. 24" x 24" T-BAR LAY-IN
3. 4 WAY LOUVER FACE DESIGN
4. 360 DEGREE AIR PATTERN
5. INCLUDES R6 MOLDED FIBERGLASS BACK
6. ACCEPTS 6" TO 15" SPIN-IN COLLARS (BY OTHERS)
7. WHITE (W) FINISH



R-6 MOLDED FIBERGLASS BACK PANEL

Submittal No. 5500SI-6	Revision:	Date: 07/07/2010	Submitted by:	Date submitted:
------------------------	-----------	------------------	---------------	-----------------