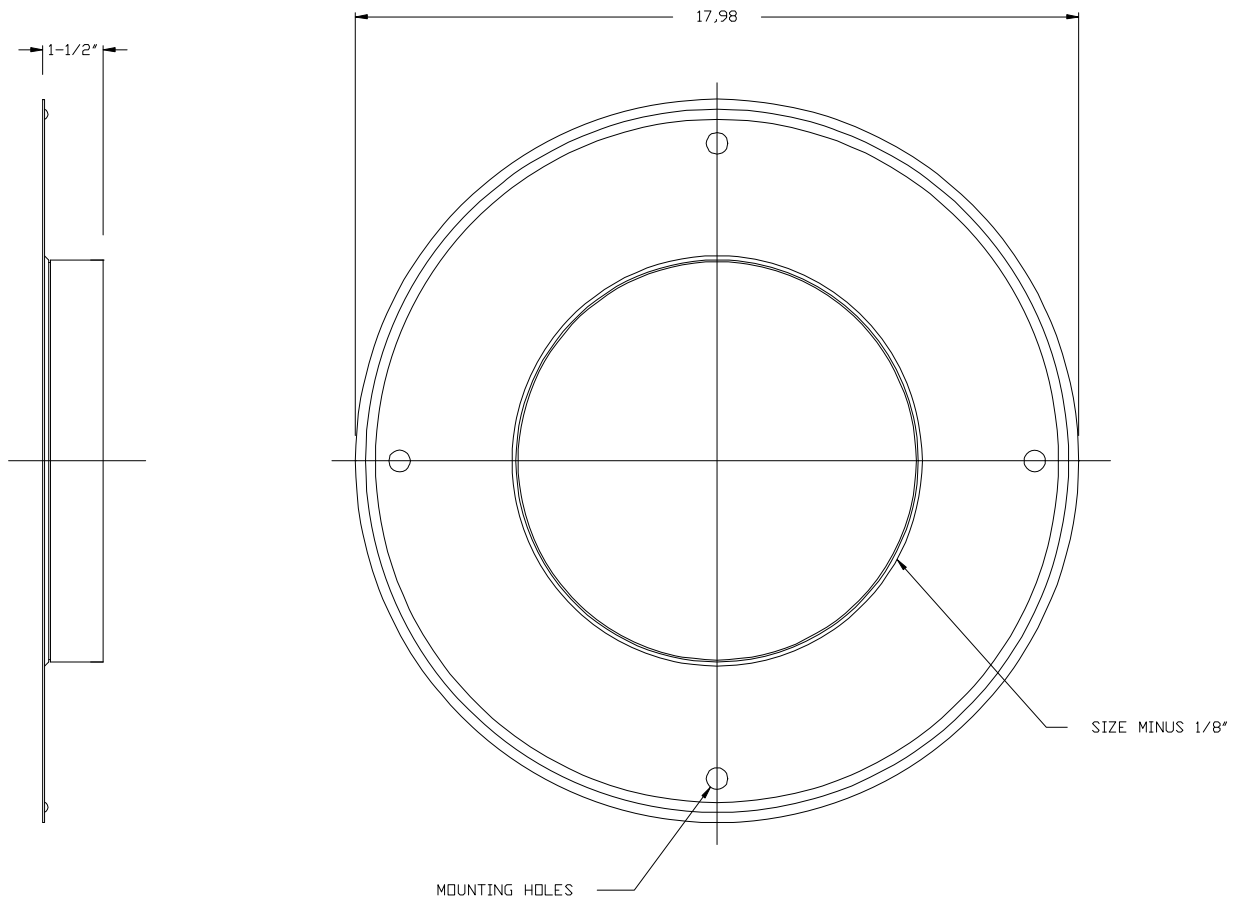


MODEL SNAP 59 – SNAP-IN COLLAR, 1-1/2" HIGH

1. STEEL CONSTRUCTION
2. ROUND PANEL WITH 6" TO 14" INTEGRAL NECK
3. NECK IS 1-1/2" HIGH
4. ATTACHES TO MOLDED FIBERGLASS BACK PRODUCTS TO PROVIDE DUCT ACCESS CONNECTION



SNAP 59				
Dia				
6"	8"	10"	12"	14"
X	X	X	X	X

Submittal No. SNAP 59

Revision:

Date: 07/07/2010

Submitted by:

Date submitted: