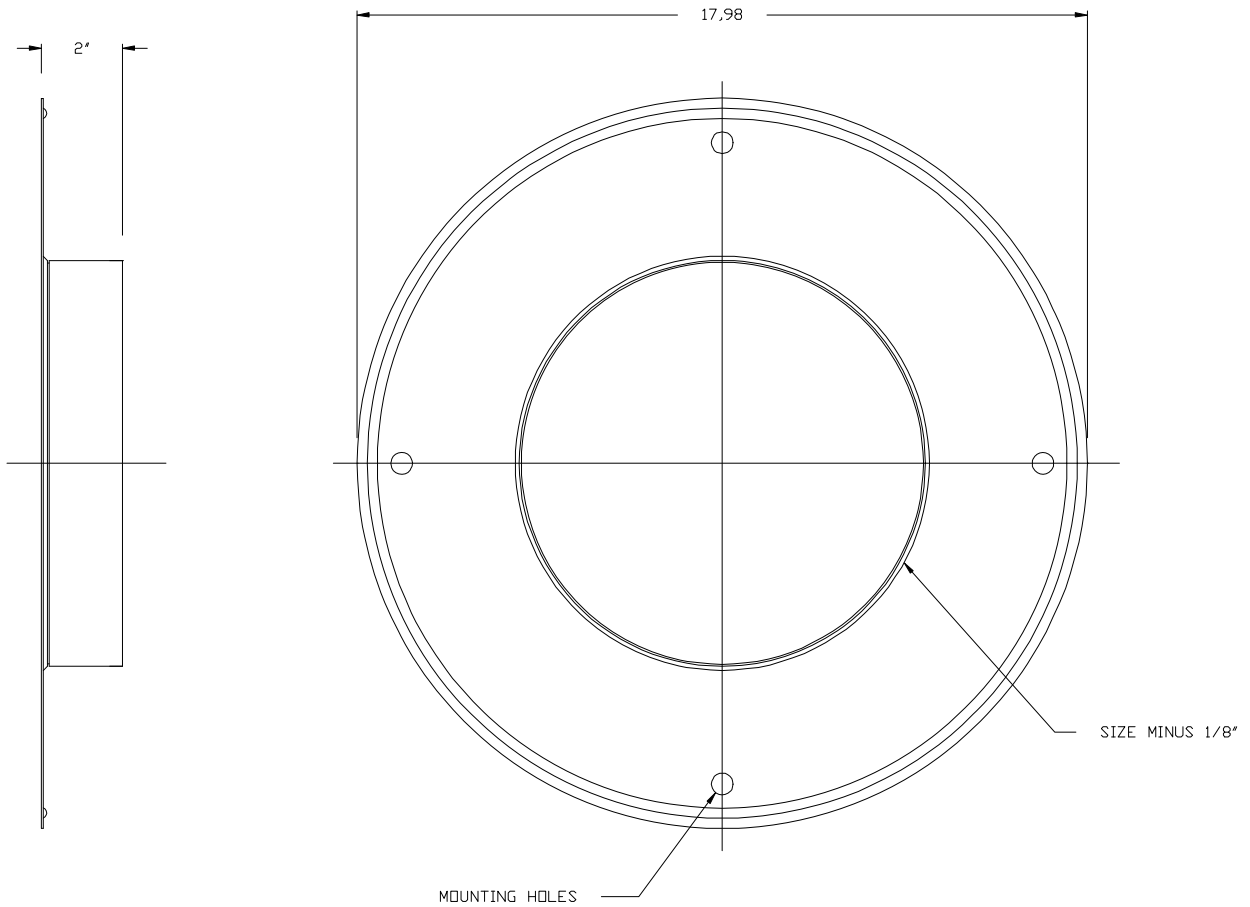


## MODEL SNAP 59-2 – SNAP-IN COLLAR, 2" HIGH

1. STEEL CONSTRUCTION
2. ROUND PANEL WITH 6" TO 14" INTEGRAL NECK
3. NECK IS 2" HIGH
4. ATTACHES TO MOLDED FIBERGLASS BACK PRODUCTS TO PROVIDE DUCT ACCESS CONNECTION



### SNAP 59-2

Dia				
6"	8"	10"	12"	14"
X	X	X	X	X

Submittal No. SNAP 59

Revision:

Date: 07/07/2010

Submitted by:

Date submitted: