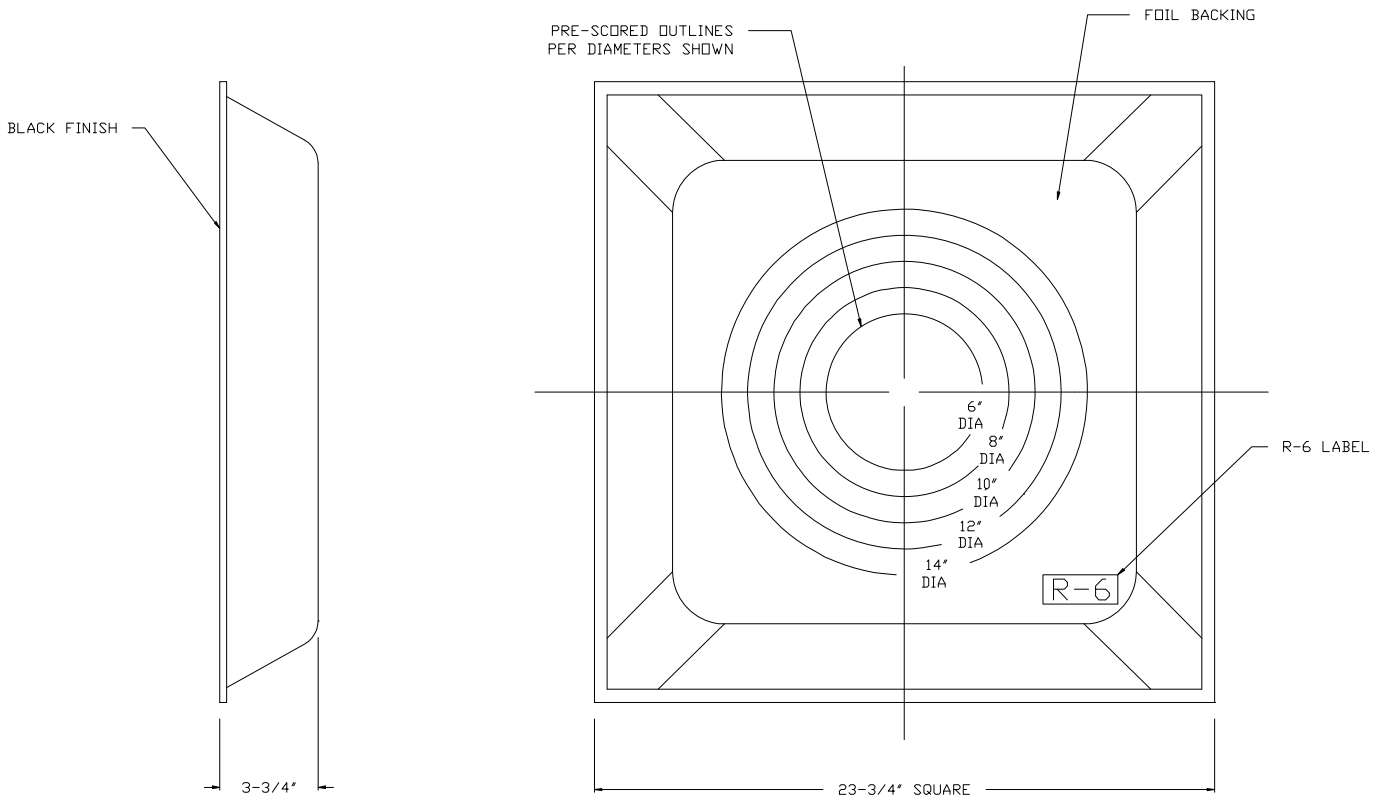


MODEL FGB-R6 – R6 MOLDED FIBERGLASS BACK

1. R6 FIBERGLASS INSULATION
2. MOLDED BACK TO FIT OVER SELECTED DIFFUSERS
3. FOIL FACING
4. PRE-SCORED FOR ROUND NECKS – 6" TO 14"
5. BLACK INTERIOR FINISH



Submittal No. FGB-R6

Revision:

Date: 07/07/2010

Submitted by:

Date submitted: